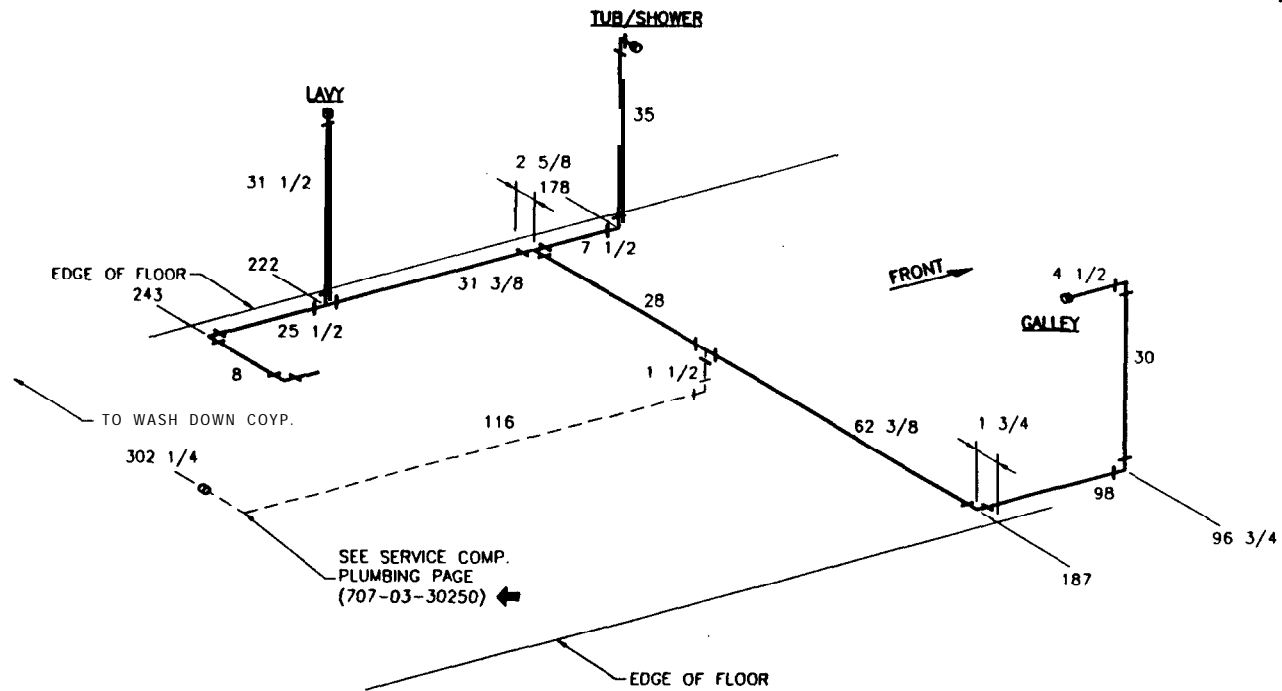


D.C. RELEASE	DESCRIPTION	DATE	BY	SCALE: 3/4" = 1'-0"	USED ON:	FLEETWOOD PAGE NO. 7 2 1 - 0 9 - 0 0 0 1 9 RECREATIONAL VEHICLE GROUP SHEET 1 OF 2
99-00		04-10-98	TM	DRAWN: Brian T. DATE: 03-23-98		
99-01		05-15-98	SA	PROJECT: 99721301	AUX. INFO.	TITLE: HOT & COLD PLUMBING
				PLOT: 05/15/98 15:25:59 01azizis		

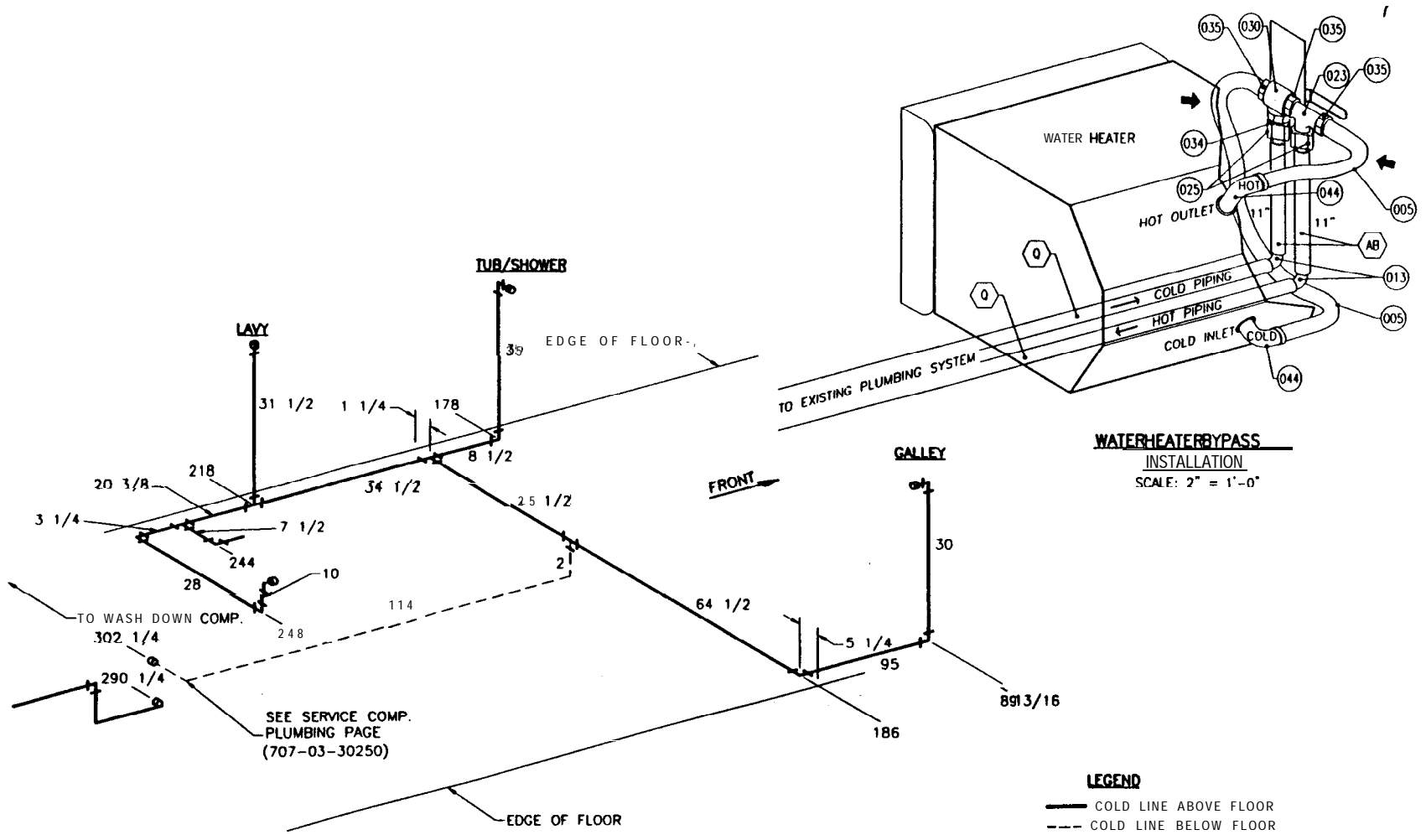


LEGEND
 — HOT LINE ABOVE FLOOR
 - - - HOT LINE BELOW FLOOR

NOTES:
 1. SEE SHEET 707-09-90951 FOR HOT & COLD PLUMBING INFO

2.116

D.C. RELEASE	DESCRIPTION	DATE	BY	SCALE: 3/4" = 1'-0"	USED ON:	FLEETWOOD PART NO. 721-09-00019
				DRAWN: Brian T.	DATE: 03-23-98	RECREATIONAL VEHICLE GROUP SHEET 2 OF 2
99-00		04-10-98	T M	PROJECT: 99721301		TITLE: HOT & COLD PLUMBING
99-01		05-20-98	BT	PLOT: 05/20/98 09:13:58 01tuckeb	AUX: INP	



2.117